



 **STIRLING**



Overlock Sewing Machine

Model Number MD 18610

INSTRUCTION MANUAL

Version 2.0

AFTER SALES SUPPORT

 **AUS** 1300 884 987

 australia@medion.com

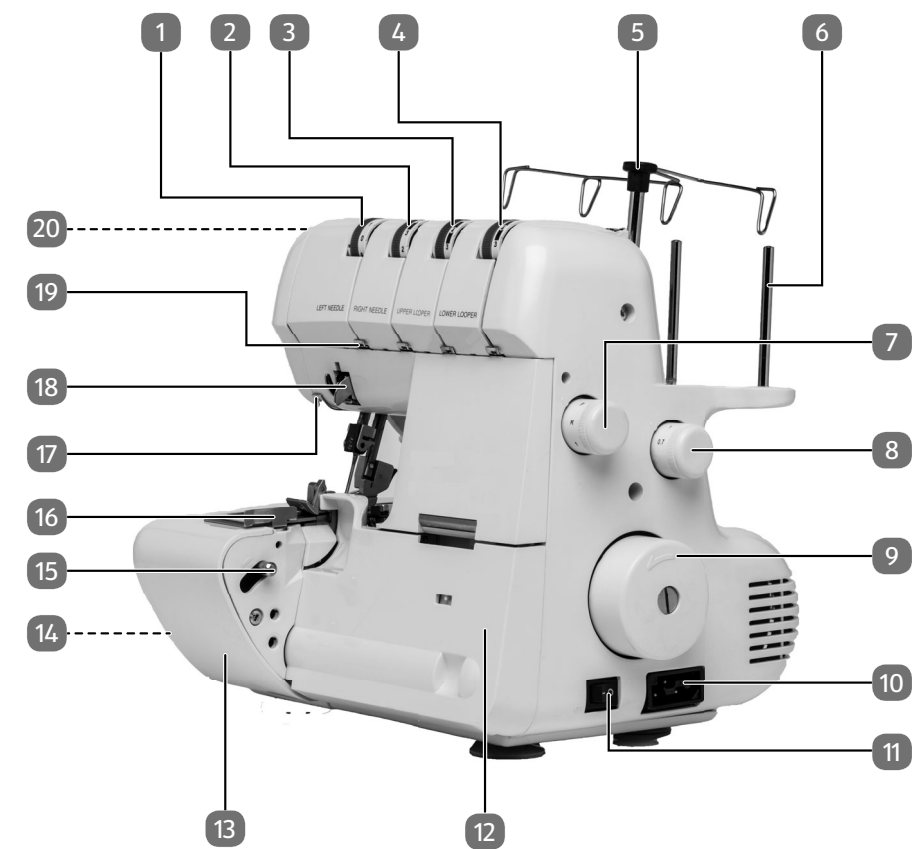
MODEL: MD 18610 PRODUCT CODE: 709475 09/2022



Please fold out.

Please fold out.

Main components



Main components

- 1) Thread tension dial – left needle (A)
- 2) Thread tension dial – right needle (B)
- 3) Thread tension dial – upper looper (C)
- 4) Thread tension dial – lower looper (D)
- 5) Telescopic thread guide bar
- 6) Spool pins
- 7) Stitch length dial
- 8) Differential feed dial
- 9) Hand wheel
- 10) Socket for foot control
- 11) On/Off switch
- 12) Front cover
- 13) Free arm
- 14) Cutting width adjustment knob (left-hand side of machine)
- 15) Lever for opening free arm
- 16) Edge guide
- 17) Cord guide for filler cord/decorative yarn
- 18) Thread guides for needle threads
- 19) Upper thread guides
- 20) Presser foot pressure adjustment dial (rear of machine)

Sewing mechanism

- 21) Lever for lifting presser foot
- 22) Needles
- 23) Presser foot
- 24) Lever for thread cutter
- 25) Upper looper
- 26) Lower thread guide
- 27) Accessory compartment
- 28) Lower looper
- 29) Needle plate
- 30) Knife mounting
- 31) Lower knife
- 32) Upper knife
- 33) Thread cutter

Sewing mechanism

