

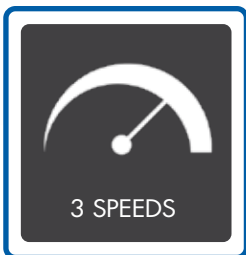
STIRLING®

90cm TOWER FAN WITH REMOTE CONTROL

3 Speeds
Oscillating Function
8-hour Timer
'Simulated Wind' Mode
Remote Control*
*BATTERY INCLUDED



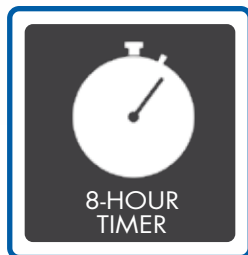
Features:



3 SPEEDS

3 Speeds

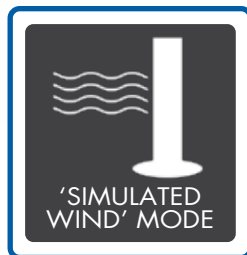
Low, Medium and High fan operation



8-HOUR
TIMER

8 Hour Timer

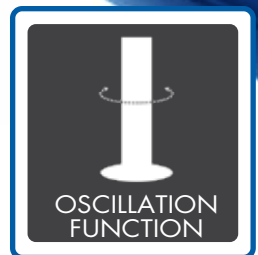
Can be set in 30 minute increments



'SIMULATED
WIND' MODE

'Simulated Wind' Mode

Varies the speed of the fan over time to simulate a flowing breeze



OSCILLATION
FUNCTION

Oscillation Function

For better circulation of air through the room

Quick Start Guide:

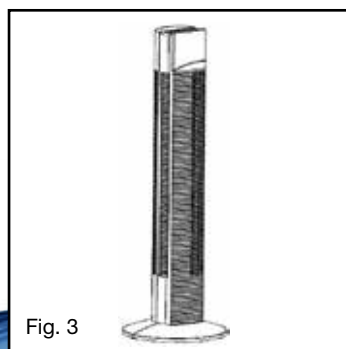
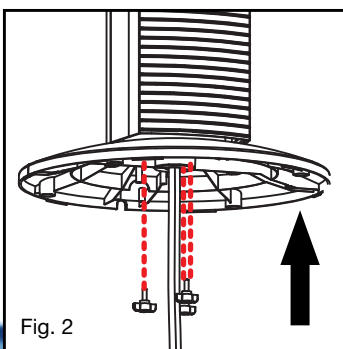
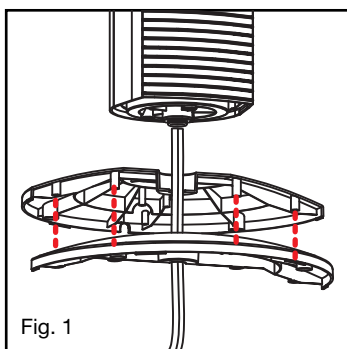
Assembly

Do not use this fan unless the base is properly attached as shown below

1. Keeping the power cord in the central gap between the 2 halves of the unassembled Base, connect the 2 halves by pushing the plastic pegs on one half into the corresponding slots on the other half.

IMPORTANT: Make sure the Power Cord passes through the slots on the rear half of the Base.

2. Using the 3 provided thumbscrews, secure the assembled Base (from step 1) to the bottom of the main Tower Fan unit.



Model Specifications	FTF36B-LED
Colour	Black
Warranty	1 year

For more information
please call 1300 366 155
or visit www.stirlingappliances.com.au